



Refreshing Thoughts on DRAM Power Saving vs. Data Integrity

Amir Rahmati, Matthew Hicks, Daniel Holcomb, Kevin Fu
University of Michigan

DRAM Refresh

DRAM Refresh

- Probabilistic memory

DRAM Refresh

- Probabilistic memory
- Energy vs. accuracy trade-off

DRAM Refresh

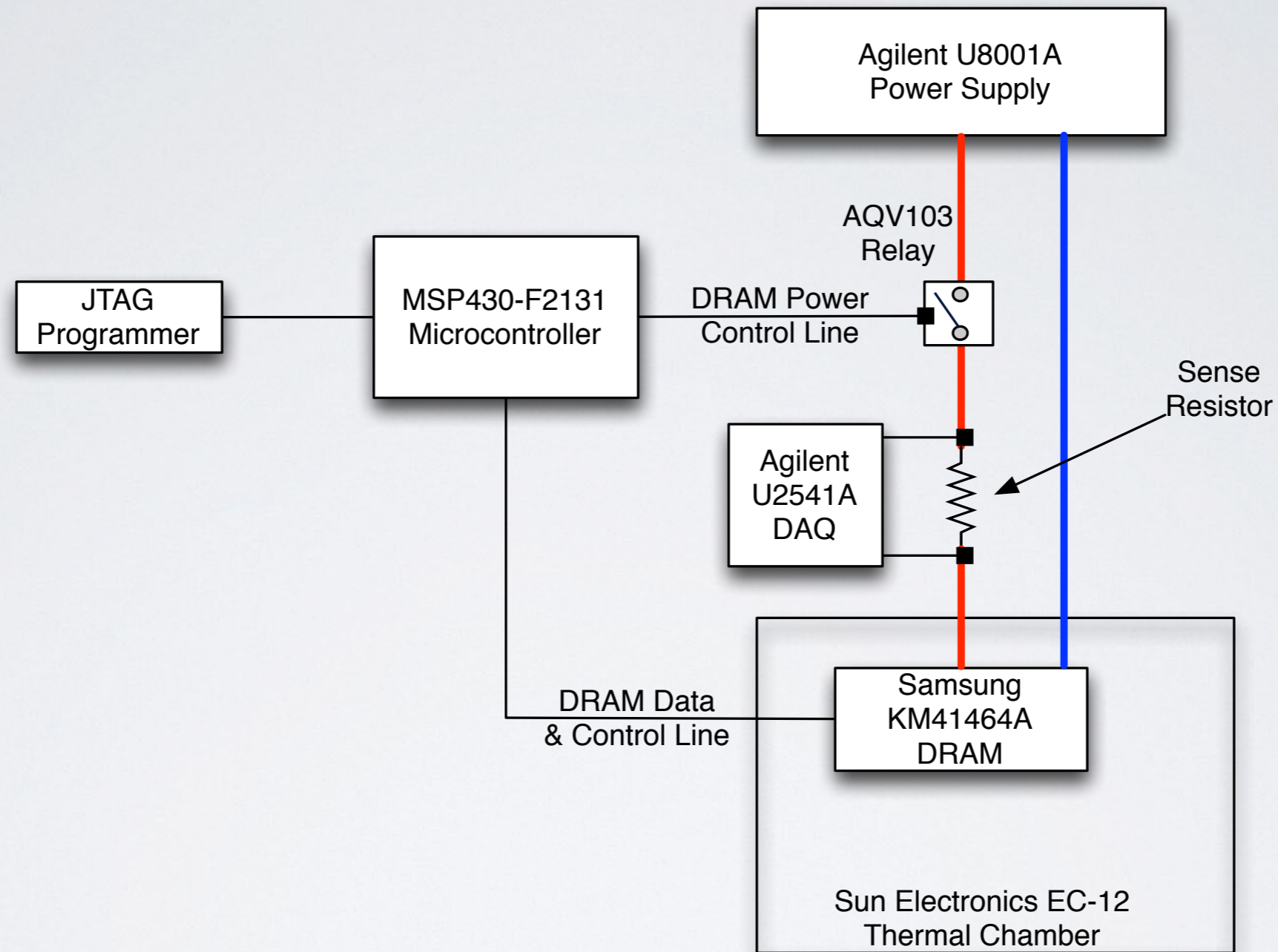
- Probabilistic memory
- Energy vs. accuracy trade-off
- Mathematical **models of disparate systems**

Our Goal

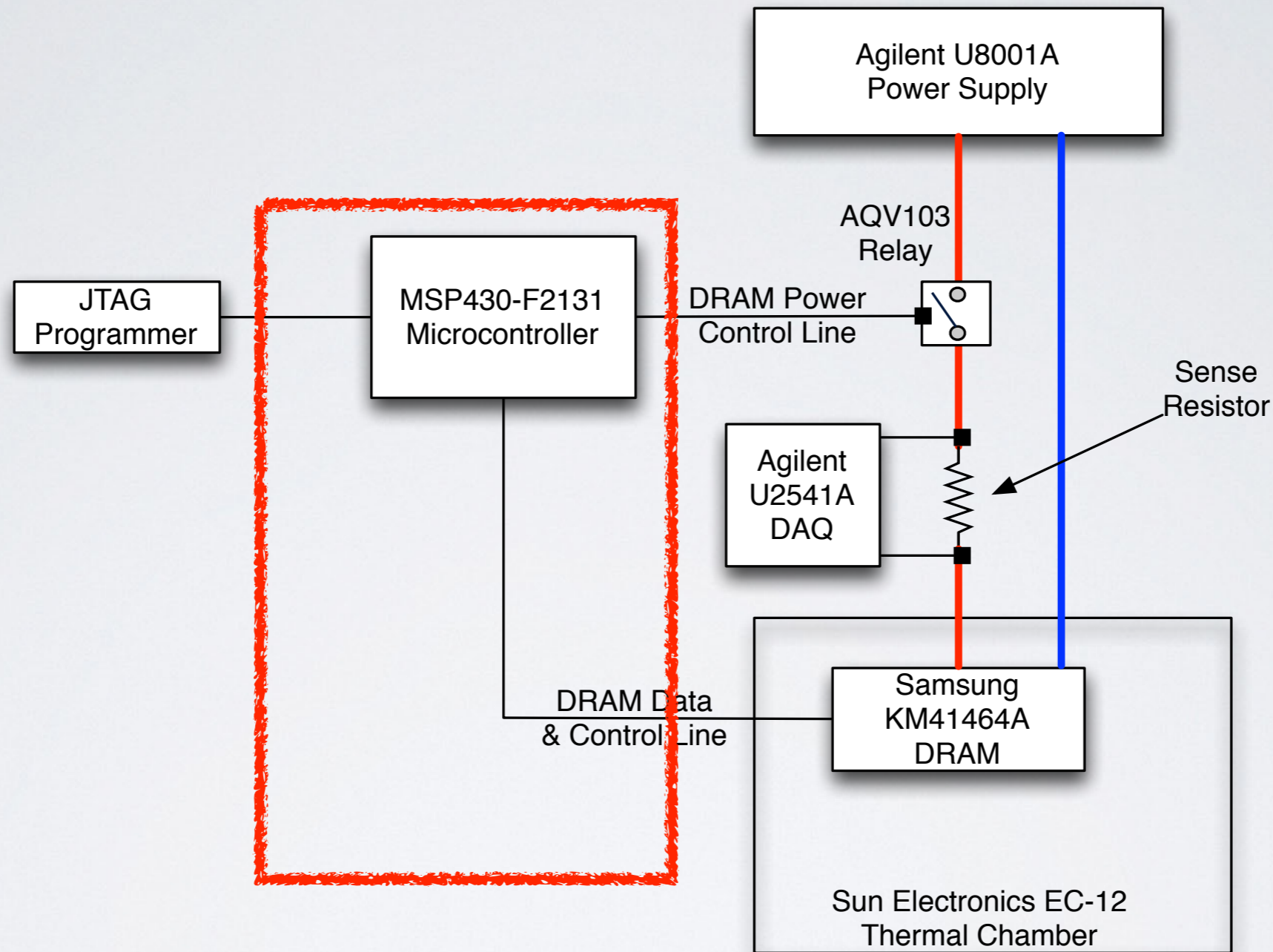
Our Goal

- Implement a **reproducible platform**
- Reproduce key experiments
- Reanalyze previous proposals

Experimental Platform

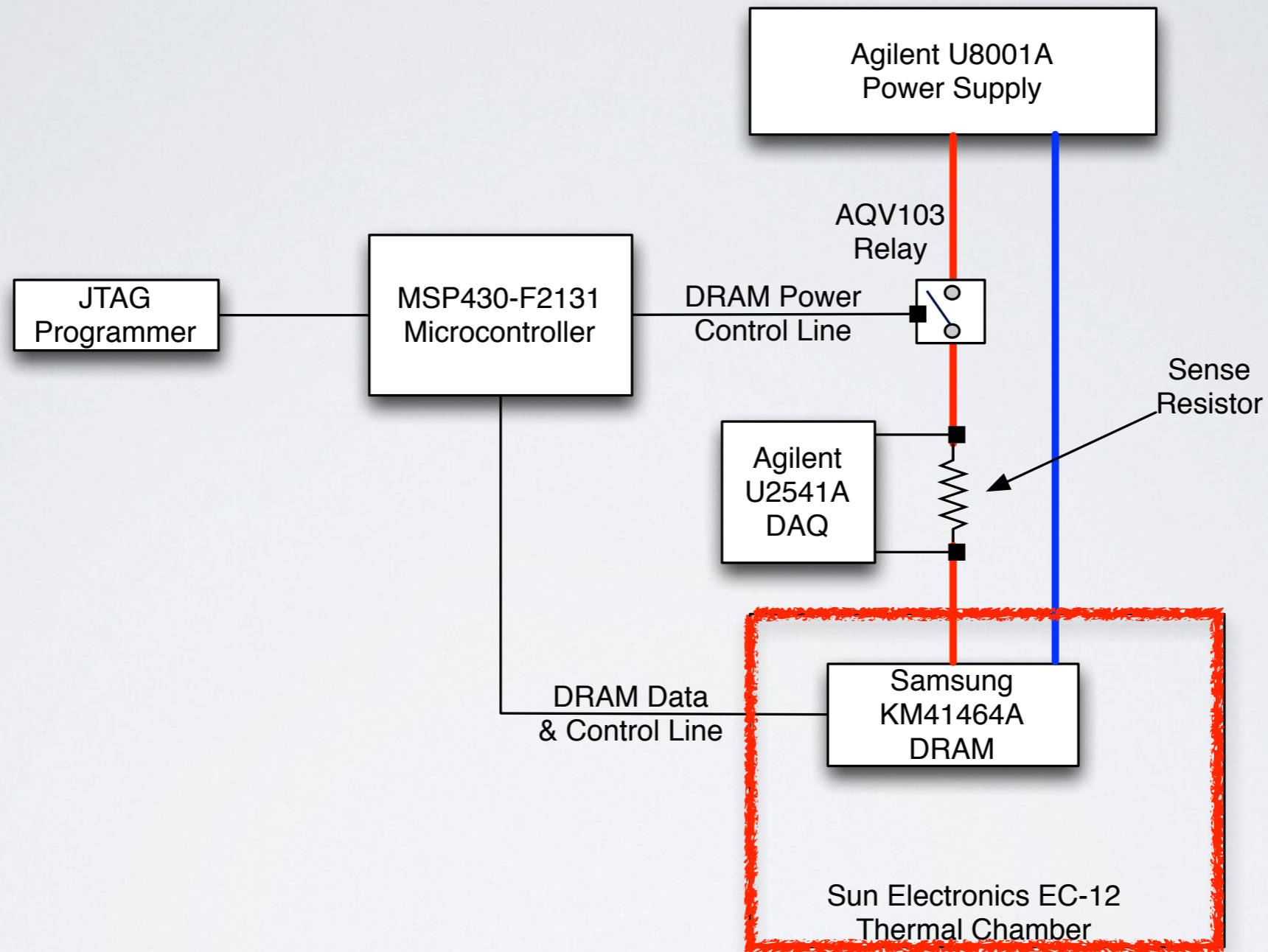


Experimental Platform



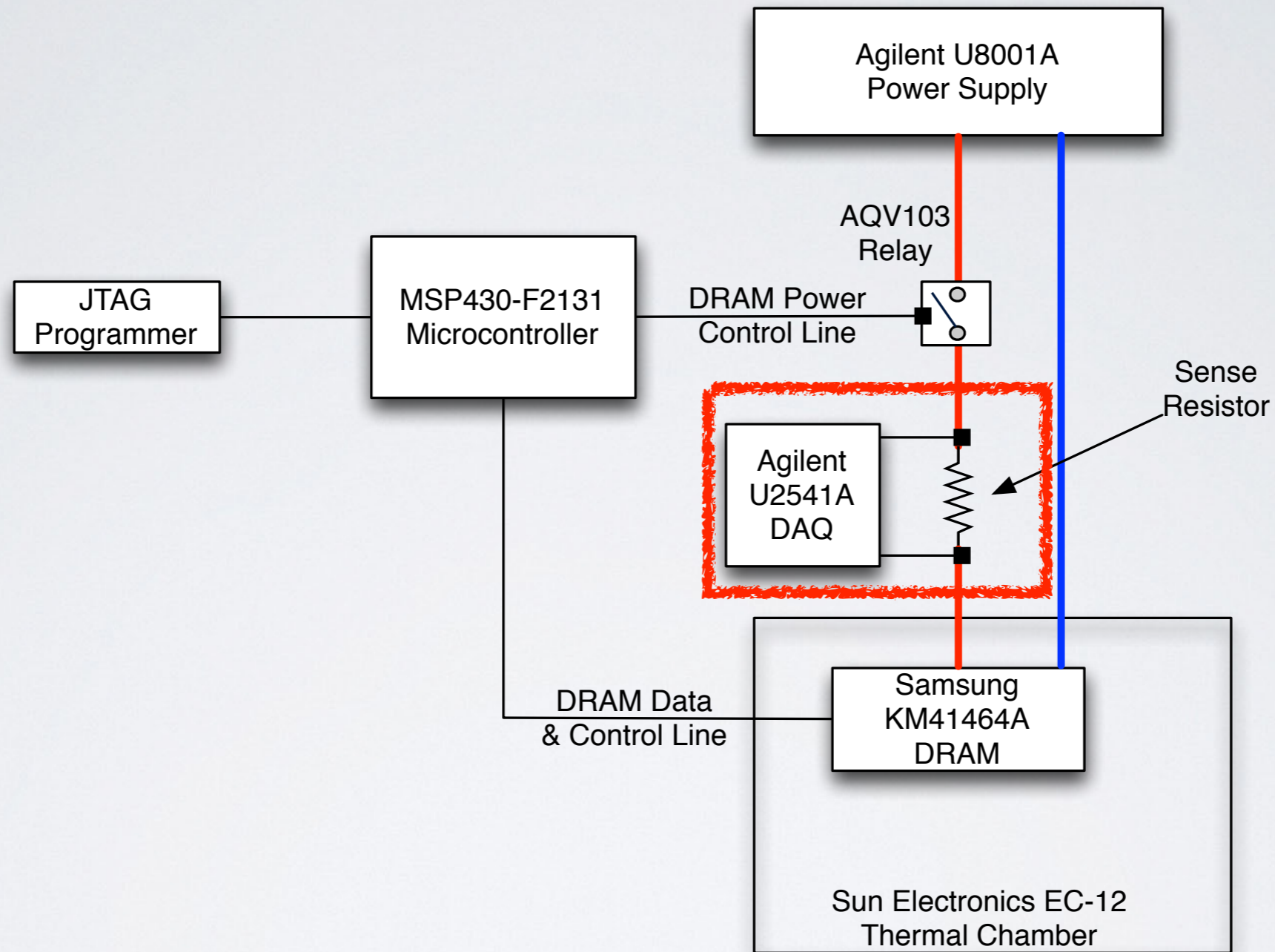
Fine grain control over memory

Experimental Platform



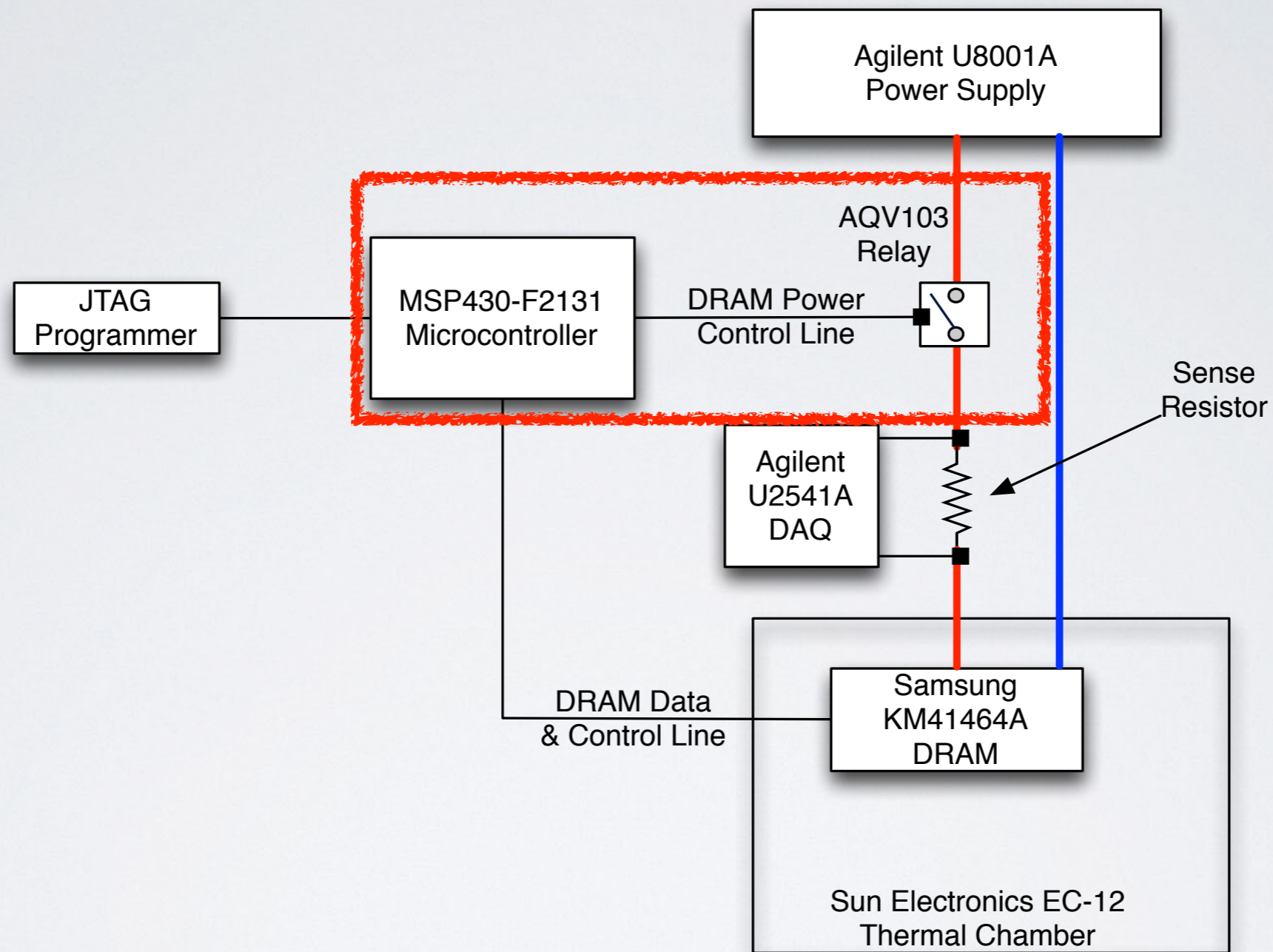
Controlled environment

Experimental Platform



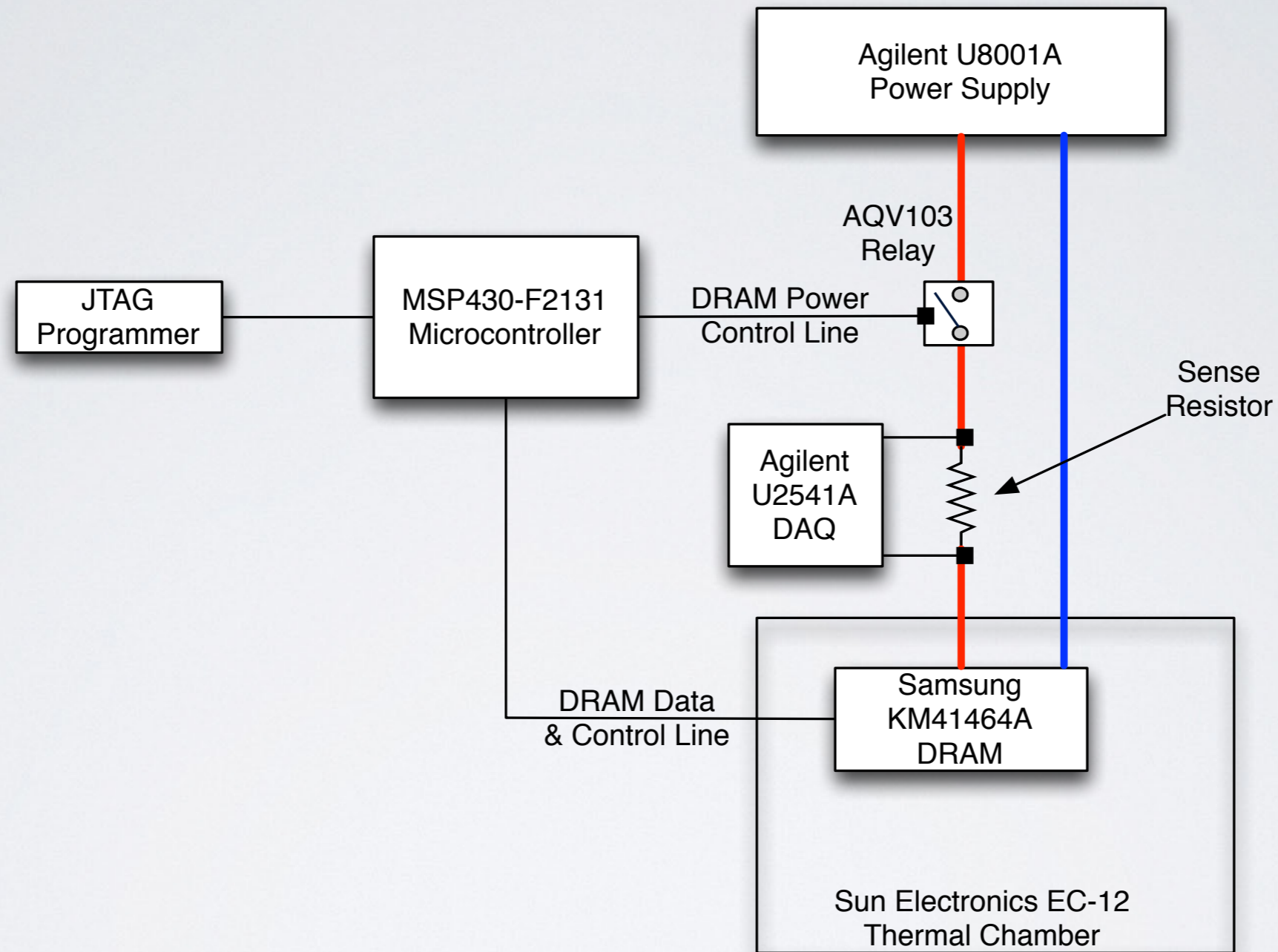
Power measurements

Experimental Platform

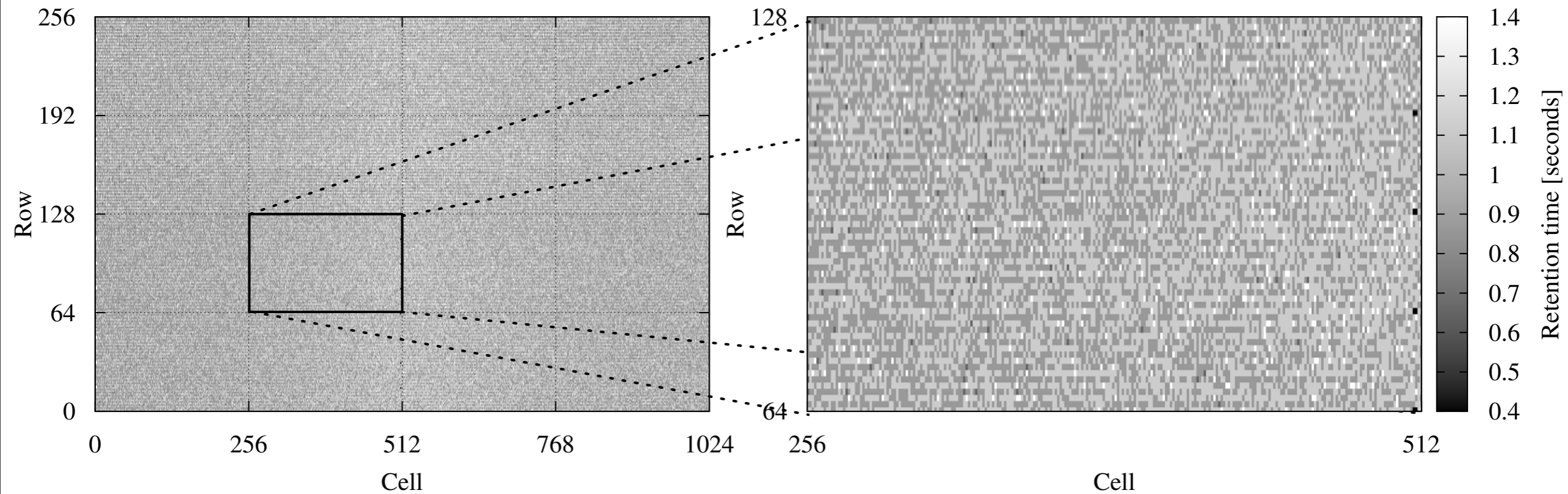


Power-gating

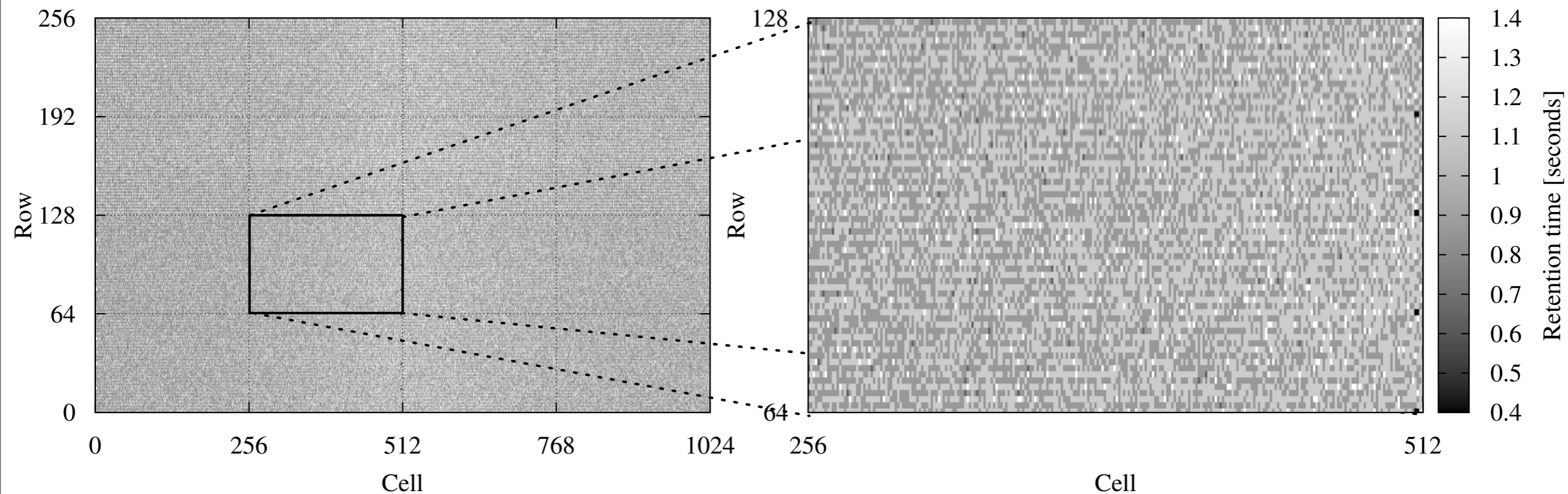
Experimental Platform



Spatial Locality



Spacial Locality



Partitioning or isolating volatile cells
require per-cell control

Power Consumption

Mode	Avg. Current Draw	Avg. Power Usage
Refresh	$2.6mA$	$11.65mW$
Idle	$2.0mA$	$9.20mW$

Power Consumption

Mode	Avg. Current Draw	Avg. Power Usage
Refresh	$2.6mA$	$11.65mW$
Idle	$2.0mA$	$9.20mW$

- Models assume Idle \equiv Refresh

Power Consumption

Mode	Avg. Current Draw	Avg. Power Usage
Refresh	$2.6mA$	$11.65mW$
Idle	$2.0mA$	$9.20mW$

- Models assume Idle \neq Refresh
- Refresh: 4.5% - 8% of idle time

Power Consumption

Mode	Avg. Current Draw	Avg. Power Usage
Refresh	$2.6mA$	$11.65mW$
Idle	$2.0mA$	$9.20mW$

- Models assume Idle \equiv Refresh
- Refresh: 4.5% - 8% of idle time
- 0.5% - 1% power saving on **complete** elimination of refresh

Conclusion

Conclusion

Modeling based on
disparate platforms
leads to **ambiguous** evaluation